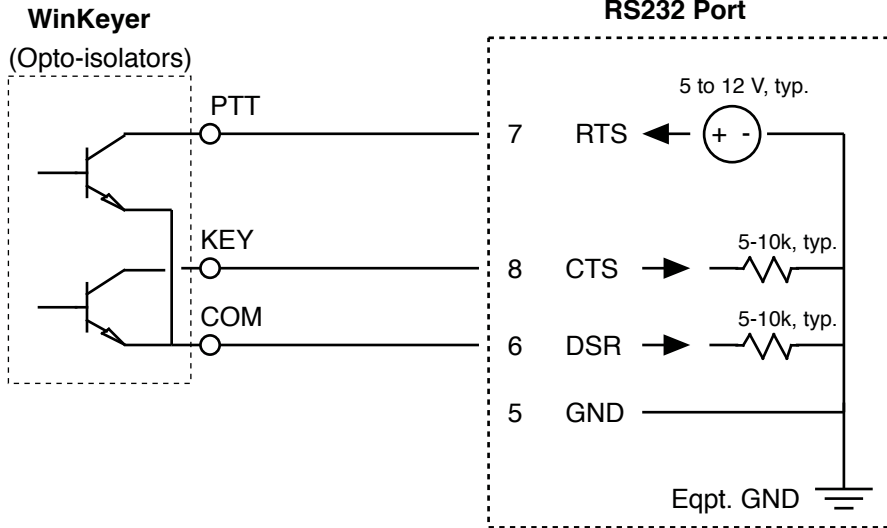


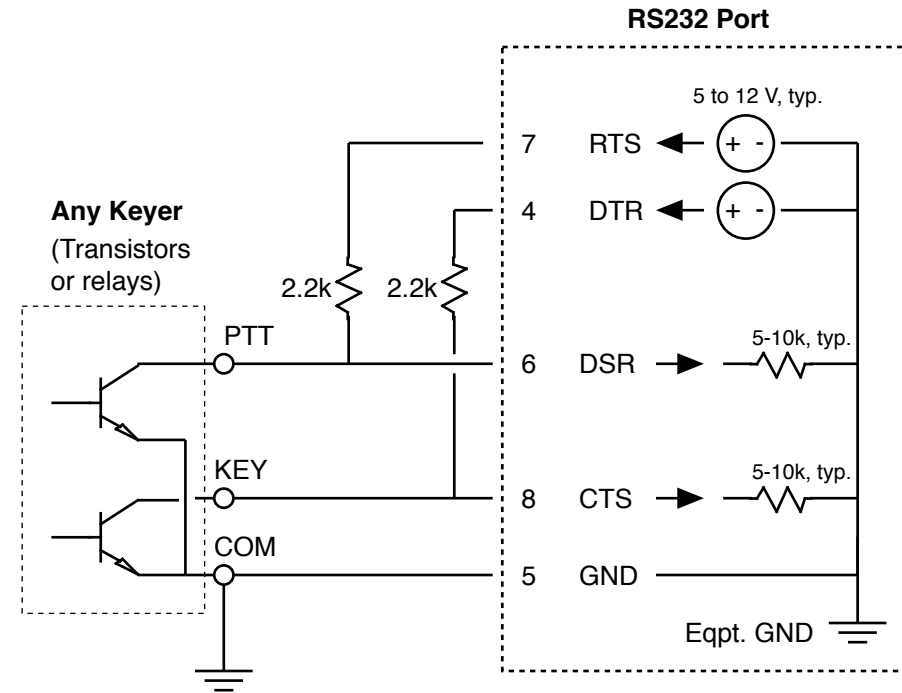
**For Keysers such as WinKeyer with
opto-isolated outputs only**



NOTES

1. Relies on passive pulldown on RS232 CTS and DSR lines. This is usually present on most COM port devices.
2. Will not work if another keyer without isolated outputs is used, where the COM pin is eventually connected to GND on the computer side.
3. Must assert PTT first, then KEY can pull up the CTS line.

**For any keyer, including those with
grounded common**



NOTES

1. Signals are *inverted* compared with WinKeyer version. Software must correct for this.
2. PTT and KEY are totally independent.